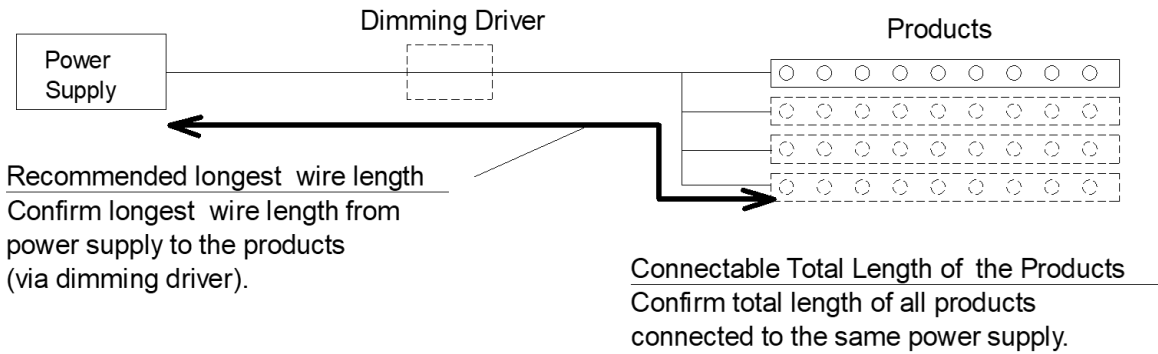


Length of the Products and Wires

Product	TMV10
----------------	--------------

Power consumption: 9W/m



Connectable Total Length of the Products. (When use HLG power supply)

- Please use the power supply at 70% output, for the long term reliability.
- If total length of the products exceed "Maximum series connectios length", connect them in parallel.

Power supply	Rated output	Recommended output	Connectable Length
HLG-60H-24	60.0 W	42.0 W	4.6 m
HLG-100H-24	96.0 W	67.0 W	7.4 m
HLG-150H-24	150.0 W	105.0 W	11.6 m
HLG-240H-24	240.0 W	168.0 W	18.6 m
HLG-320H-24	320.0 W	224.0 W	24.8 m
-	-	-	-
-	-	-	-

Recommended longest wire length from power supply to the products

- If the wiring exceeds the following length, brightness reduction may be conspicuous.
- When using multiple products, wiring to each products should be the same length.

Cable Cores: 2C		VCTF/Twisted wire (mm ²)			VVF/Single Wire (φmm)		
Product Length	Power consumption	0.75sq/2C	1.25sq/2C	2sq/2C	1.6mm/2C	2mm/2C	2.6mm/2C
0.5 m	4.5 W	112 m	187 m	300 m	301 m	470 m	795 m
1.0 m	9.0 W	56 m	94 m	150 m	151 m	235 m	397 m
1.5 m	13.5 W	37 m	62 m	100 m	100 m	157 m	265 m
2.0 m	18.0 W	28 m	47 m	75 m	75 m	118 m	199 m
2.5 m	22.5 W	22 m	37 m	60 m	60 m	94 m	159 m
3.0 m	27.0 W	19 m	31 m	50 m	50 m	78 m	132 m
3.5 m	31.5 W	16 m	27 m	43 m	43 m	67 m	114 m
4.0 m	36.0 W	14 m	23 m	37 m	38 m	59 m	99 m
4.5 m	40.5 W	12 m	21 m	33 m	33 m	52 m	88 m
5.0 m	45.0 W	11 m	19 m	30 m	30 m	47 m	79 m
5.5 m	-	-	-	-	-	-	-
6.0 m	-	-	-	-	-	-	-
6.5 m	-	-	-	-	-	-	-
7.0 m	-	-	-	-	-	-	-
7.5 m	-	-	-	-	-	-	-
8.0 m	-	-	-	-	-	-	-
8.5 m	-	-	-	-	-	-	-
9.0 m	-	-	-	-	-	-	-
9.5 m	-	-	-	-	-	-	-
10.0 m	-	-	-	-	-	-	-

Above are approximate values.